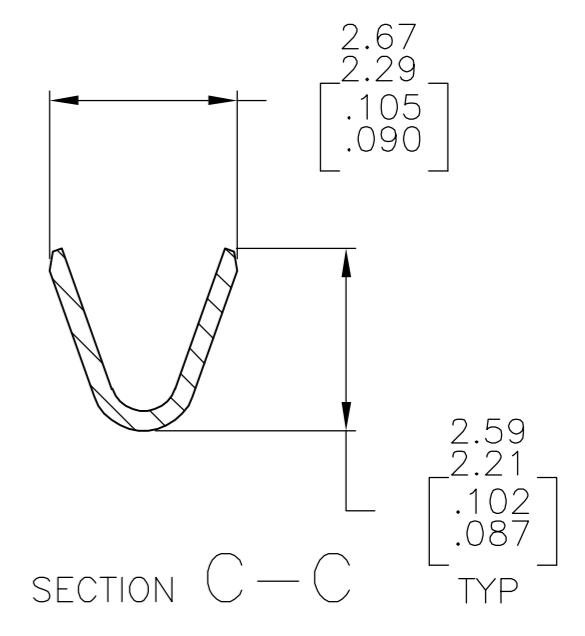
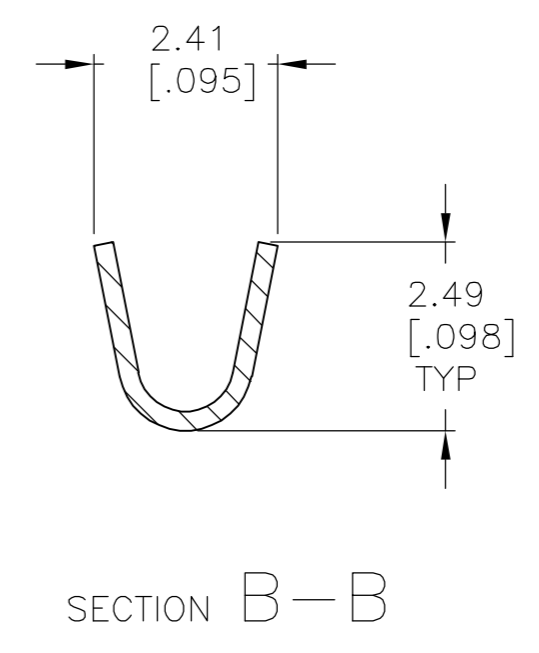
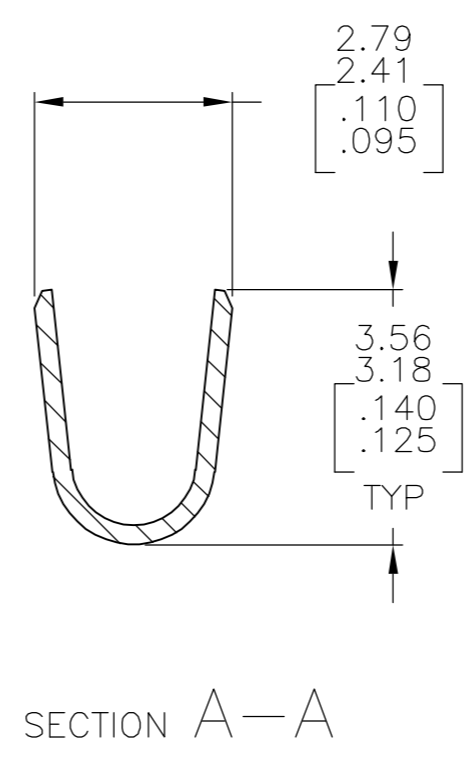
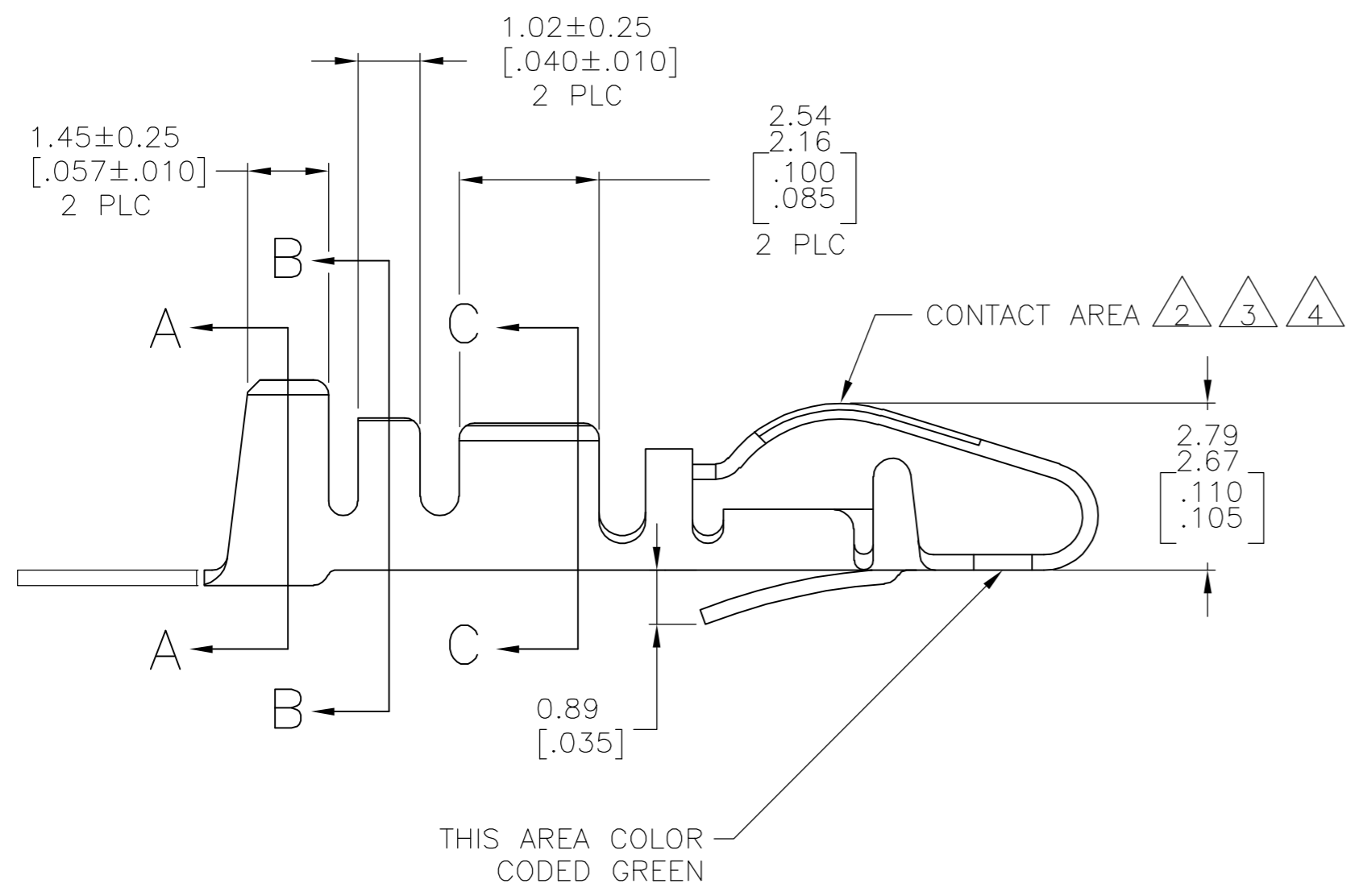
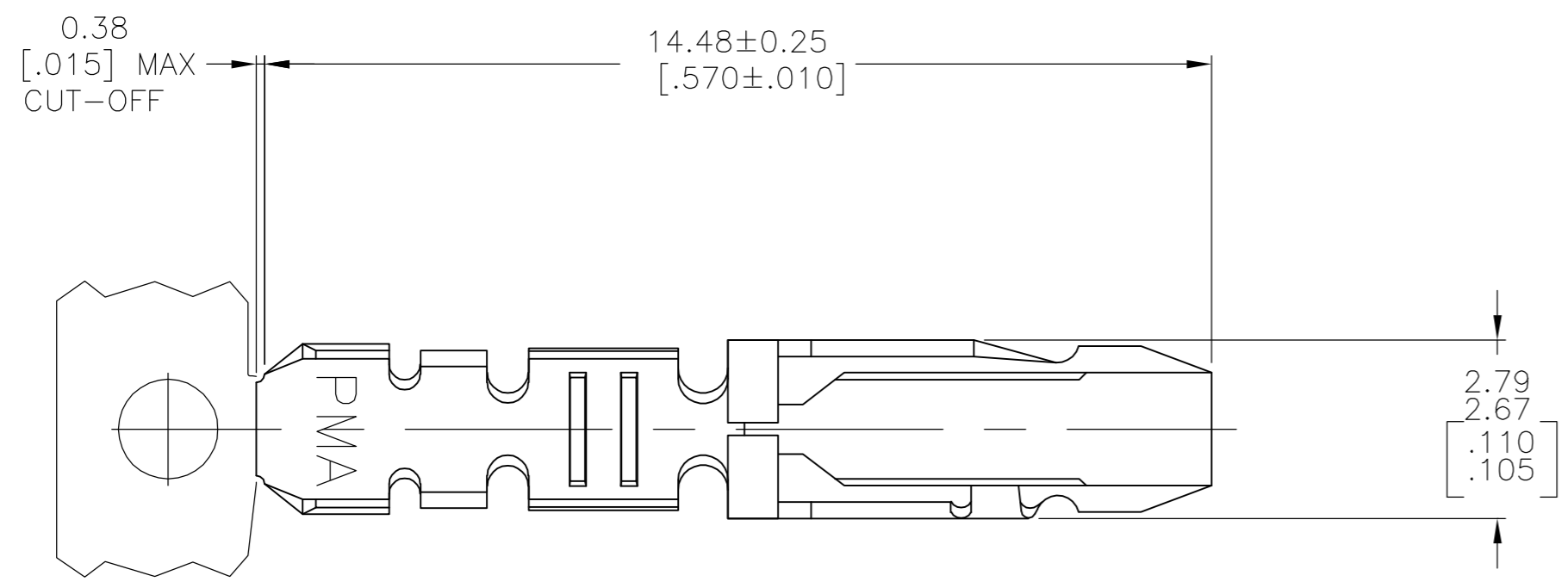


LOC	DIST	REVISIONS			
P	LTR	DESCRIPTION	DATE	DWN	APVD
AD	00	J	ECO-05-004683	19JAN06	BSV MM



- ① PHOSPHOR BRONZE.
- ② 2.54µm[.000100] MIN TIN-LEAD OVER 1.27µm[.000050] MIN NICKEL.
- ③ 0.76µm[.000030] MIN GOLD IN CONTACT AREA, GOLD FLASH ON REMAINDER OF CONTACT, BOTH OVER 1.27µm[.000050] MIN NICKEL.
- ④ 0.38µm[.000015] MIN GOLD IN CONTACT AREA OVER 1.27µm[.000050] MIN NICKEL.
- 5. INSULATION RANGE: 1.40-2.03[.055-.080] DIA.
- ⑥ 2.54µm[.000100] MIN MATTE TIN PLATE OVER 1.27µm[.000050] MIN NICKEL.

FINISH	PART NUMBER
⑥	5-583989-2
④	583989-4
③	583989-3
②	583989-2

THIS DRAWING IS A CONTROLLED DOCUMENT.		DWN D.HARDY 28 AUG 97	Tyco Electronics Corporation Harrisburg, Pa 17105-3608	
DIMENSIONS: mm		CHK R.STONE 04 SEP 97	NAME CONTACT, 22-18 AWG, AMP-LEAF TM	
TOLERANCES UNLESS OTHERWISE SPECIFIED:		APVD N.SCHROLL 05 SEP 97	SIZE A2	CAGE CODE 00779
0 PLC ± - 1 PLC ± - 2 PLC ± 0.13 [.005] 3 PLC ± - 4 PLC ± - ANGLES ± -		PRODUCT SPEC -	DRAWING NO C=583989	RESTRICTED TO -
MATERIAL ① SEE TABLE		APPLICATION SPEC -	WEIGHT -	SCALE 10:1
		FINISH -	CUSTOMER DRAWING	SHEET 1 OF 1
				REV J

583989